

BANTAM Modular FRLs

Ports: 1/8 & 1/4
Flow to 22 scfm



STANDARD SPECIFICATIONS

Ambient/Media Temperature:

40° to 125°F (4° to 52°C).

Bodies: Acetal.

Bowls: 2-ounce (60-ml) capacity polycarbonate plastic bowls or aluminum bowls.

Filter Drain: Internal automatic drain; optional manual drain.

Filter Element: 5-µm-rated polyethylene.

Fluid Media: Compressed air.

Inlet Pressure:

15 psig (1 bar) minimum with automatic drain.
150 psig (10 bar) maximum.

Oil Adjustment: External, no shutoff.

Outlet Pressure: Adjustable up to 100 psig (7 bar).

Pressure Gauge: 0 to 160 psig (10.3 bar);
1/8 NPT gauge ports front and rear.

Panel Mounting: 1-3/16 inch (30 mm) hole required.

Regulator Dome and Knob: Acetal.

Seals: Nitrile.

FEATURES:

- Individual filter (piston-type regulator or diaphragm-type; wick-feed lubricator).
- Modular assembly and mounting.
- Threaded ports or quick-connect fittings for tubing up to 10 mm in diameter.
- 5-µm-rated polyethylene filter element.
- High-strength polycarbonate plastic bowls or aluminum bowls.
- Internal automatic filter drain; optional manual drain.
- Self-relieving regulator; non-relieving optional.
- Pressure gauge.
- NPTF port threads; optional BSPP threads.

AIR FLOW DATA

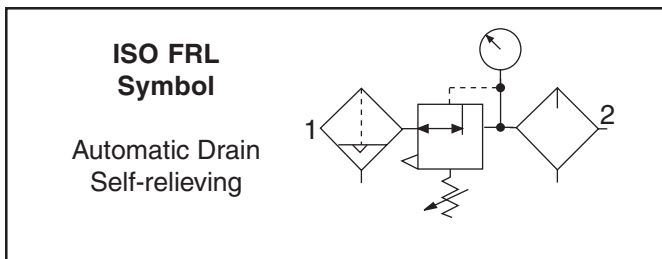
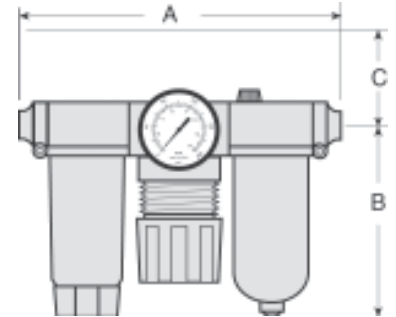
See *Flow Charts* for individual assembly components on preceding pages.

BANTAM Modular FRLs

Ports: 1/8 & 1/4
Flow to 22 scfm

DIMENSIONS inches (mm)

Ports	A	B	C	Depth	Weight lb (kg)
1/8, 1/4	6.3 (160)	3.6 (92)	1.7 (43)	3.6 (92)	0.53 (0.24)
Models below have quick-connect fittings for tubing.					
1/4	6.7 (170)	3.6 (92)	1.7 (43)	3.6 (92)	0.50 (0.23)
3/8	7.2 (183)	3.6 (92)	1.7 (43)	3.6 (92)	0.50 (0.23)
4 mm	6.7 (170)	3.6 (92)	1.7 (43)	3.6 (92)	0.50 (0.23)
6 mm	6.7 (170)	3.6 (92)	1.7 (43)	3.6 (92)	0.50 (0.23)
8 mm	6.4 (163)	3.6 (92)	1.7 (43)	3.6 (92)	0.50 (0.23)
10 mm	7.2 (183)	3.6 (92)	1.7 (43)	3.6 (92)	0.50 (0.23)



REPLACEMENT FILTER ELEMENT KIT

Element Type	Kit Number
5- μ m polyethylene (Std element)	933K77

PISTON TYPE

Port Size	Automatic Drain Models		Manual Drain Models	
	Plastic Bowl	Metal Bowl	Plastic Bowl	Metal Bowl
THREADED				
1/8	5B01B0115	5B01B0216	5B01B0315	5B01B0416
1/4	5B02B0115	5B02B0216	5B02B0315	5B02B0416
TUBE FITTINGS				
1/4	5B03B0115	5B03B0216	5B03B0315	5B03B0416
3/8	5B04B0115	5B04B0216	5B04B0315	5B04B0416
4mm	5B05B0115	5B05B0216	5B05B0315	5B05B0416
6mm	5B06B0115	5B06B0216	5B06B0315	5B06B0416
8mm	5B07B0115	5B07B0216	5B07B0315	5B07B0416
10mm	5B08B0115	5B08B0216	5B08B0315	5B08B0416

For quick fill cap on lubricator, change the last digit to a seven (7), e.g., 5B08B0216 becomes 5B08B0217.

For diaphragm regulator, change eighth digit to a two (2), e.g., 5B01B0115 becomes 5B01B0125.

NOTE: For BSPP threads, add the letter "C" in front of the part number.



MINIATURE FRLs

Ports: 1/8 & 1/4
Flow to 19 scfm



FEATURES:

- Individual filter; piston-type regulator or diaphragm-type; and wick-feed lubricator.
- Inline mounting.
- 5- μ m-rated polyethylene filter element.
- High-strength polycarbonate plastic bowls or aluminum bowls.
- Internal automatic filter drain; optional manual drain.
- Self-relieving regulator; non-relieving optional.
- Pressure gauge.
- NPTF port threads; optional BSPP threads.

STANDARD SPECIFICATIONS

Ambient/Media Temperature:

Plastic bowls: 40° to 125°F (4° to 52°C).

Metal bowls: 40° to 175°F (4° to 79°C).

Bowls: 2-ounce (60-ml) capacity polycarbonate plastic bowls or aluminum bowls.

Filter Drain: Internal automatic drain; optional manual drain.

Filter Element: 5- μ m-rated polyethylene.

Fluid Media: Compressed air.

Heads: Aluminum.

Inlet Pressure:

15 psig (1 bar) minimum with automatic drain.

Plastic bowls: 150 psig (10 bar) maximum.

Metal bowls: 200 psig (13.7 bar) maximum.

Oil Adjustment: Internal; tamper-resistant.

Outlet Pressure: Adjustable up to 100 psig (7 bar).

Pressure Gauge: 0 to 160 psig (10.3 bar); 1/8 NPT gauge ports front and rear.

Panel Mounting: 1-3/16 inch (30 mm) hole required.

Regulator Dome and Knob: Acetal.

Seals: Nitrile.

AIR FLOW DATA

See *Flow Charts* for individual assembly components on preceding pages.

MINIATURE FRLs

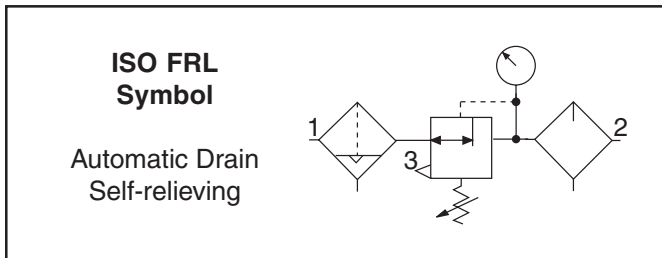
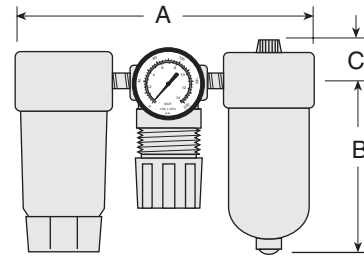
Ports: 1/8 & 1/4
Flow to 19 scfm

DIMENSIONS inches (mm)

A	B	C	Depth †	Weight † lb (kg)
5.5 (140)	3.6 (90)	0.7 (17)	1.6 (41)	0.76 (0.34)

† Less gauge.

Dimensions do not include pressure gauges.



REPLACEMENT FILTER ELEMENT KITS

Element Type	Kit Number
5-µm polyethylene (Std element)	933K77

COMBINATION FILTER & REGULATOR* (piston type)

Port Size	Automatic Drain Models		Manual Drain Models	
	Plastic Bowl	Metal Bowl	Plastic Bowl	Metal Bowl
1/8	5321B1027	5322B1024	5321B1026	5322B1025
1/4	5321B2027	5322B2024	5321B2026	5322B2025

COMBINATION FILTER & REGULATOR* (diaphragm type)

1/8	5321B1037	5322B1034	5321B1036	5322B1035
1/4	5321B2037	5322B2034	5321B2036	5322B2035

*Regulated pressure 0 – 100 psig (7 bar); gauge included.

COMBINATION FILTER & LUBRICATOR ** (High flow)

1/8	5311B1012	5312B1012	5311B1011	5312B1011
1/4	5311B2012	5312B2012	5311B2011	5312B2011

COMBINATION FILTER, REGULATOR* (diaphragm type) & LUBRICATOR** (High flow)

1/8	5331B1006	5332B1006	5331B1005	5332B1005
1/4	5331B2006	5332B2006	5331B2005	5332B2005

*Regulated pressure 0 – 100 psig (7 bar); gauge included. **To order the lubricator with a quick-fill cap, change the third digit from the end of the model number from "0" to "1," e.g., model 5311B1012 with quick-fill cap becomes model 5311B1112.

NOTE: For BSP threads, add the letter "C" in front of the part number.



MID-SIZE Modular FRLs

Ports: 1/4, 3/8, 1/2



FEATURES:

- Individual filter; piston-type regulator; sight-feed lubricator.
- Modular or inline mounting.
- 5- μ m-rated polyethylene filter element.
- High-strength zinc bowl or polycarbonate plastic bowl with shatterguard.
- Internal automatic filter drain; optional manual drain.
- Self-relieving regulator; non-relieving optional.
- Pressure gauge.
- NPTF port threads; optional SAE or BSPP threads.

STANDARD SPECIFICATIONS

Ambient/Media Temperature:

40° to 125°F (4° to 52°C). With metal bowls:
40° to 175°F (4° to 79°C).

Bowls: 4-ounce (120-ml) capacity zinc bowls or polycarbonate plastic bowls with zinc shatterguards.

Filter Drain: Internal automatic drain; optional manual drain.

Filter Element: 5- μ m-rated polyethylene.

Fluid Media: Compressed air.

Heads: Zinc.

Inlet Pressure:

15 psig (1 bar) minimum with automatic drain.
150 psig (10 bar) maximum. With metal bowls:
200 psig (13.7 bar) maximum.

Oil Adjustment: External; tamper-resistant.

Outlet Pressure: Adjustable up to 100 psig (7 bar).

Pressure Gauge: 0 to 200 psig (14 bar); 1/4 NPT gauge ports front and rear.

Panel Mounting: 1-9/16 inch (40 mm) hole required.

Regulator Dome and Knob: Acetal. Optional metal regulator dome.

Seals: Nitrile.

Sight Dome: Clear nylon.

AIR FLOW DATA

See *Flow Charts* for individual assembly components on preceding pages.

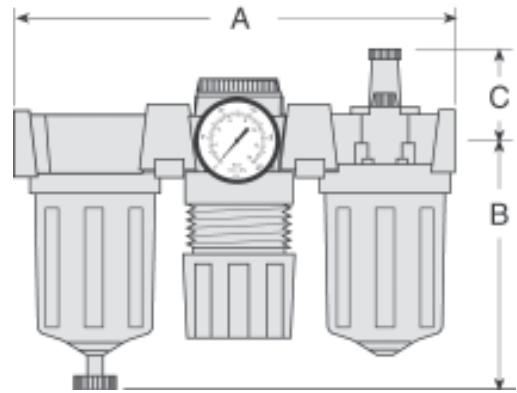
MID-SIZE Modular FRLs

Ports: 1/4, 3/8, 1/2

DIMENSIONS inches (mm)

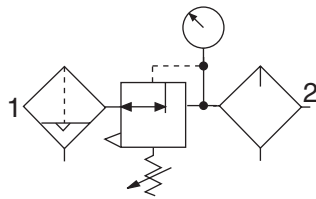
A	B	C	Depth	Weight lb (kg)
8.5 (215)	4.6 (117)	1.8 (46)	2.8 (71)	3.75 (1.70)

Dimensions do not include pressure gauges.



ISO FRL Symbol

Automatic Drain
Self-relieving



REPLACEMENT FILTER ELEMENT KIT

Element Type	Kit Number
5- μ m polyethylene (Std element)	936K77

COMBINATION FILTER & REGULATOR* (Includes 2 female port kits.)

Port Size	Automatic Drain Models		Manual Drain Models	
	Plastic Bowl**	Metal Bowl	Plastic Bowl**	Metal Bowl
1/4	5M11B2110	5M11B2210	5M11B2310	5M11B2410
3/8	5M11B3110	5M11B3210	5M11B3310	5M11B3410
1/2	5M11B4110	5M11B4210	5M11B4310	5M11B4410

*Piston type; regulated pressure 0 – 100 psig (7 bar); gauge included.

**Plastic bowl includes metal bowl guard.

COMBINATION FILTER & LUBRICATOR (Includes 2 female port kits.)

1/4	5M11B2101	5M11B2202	5M11B2301	5M11B2402
3/8	5M11B3101	5M11B3202	5M11B3301	5M11B3402
1.2	5M11B4101	5M11B4202	5M11B4301	5M11B4402

COMBINATION FILTER, REGULATOR* & LUBRICATOR (Includes 2 female port kits.)

1/4	5M11B2111	5M11B2212	5M11B2311	5M11B2412
3/8	5M11B3111	5M11B3212	5M11B3311	5M11B3412
1/2	5M11B4111	5M11B4212	5M11B4311	5M11B4412

*Piston type; regulated pressure 0 – 100 psig (7 bar); gauge included.

**Plastic bowl includes metal bowl guard.

Note: Each regulator comes complete with a gauge.

NOTE: For BSPP threads, add the letter "C" in front of the part number.



FULL-SIZE FRLs

Ports: 1/4, 3/8, 1/2, 3/4
Flow to 138 scfm



FEATURES:

- Individual filter; diaphragm-type regulator; sight-feed lubricator; lockout valve.
- Modular or inline mounting.
- 5- μ m-rated polyethylene filter element.
- Zinc bowl with clear nylon sight glass *or* polycarbonate plastic bowl with steel shatterguard.
- Internal automatic filter drain; optional manual drain or electronic drain.
- Self-relieving regulator; non-relieving optional.
- Pressure gauge.
- NPTF port threads; optional SAE or BSPP threads.

STANDARD SPECIFICATIONS

Ambient/Media Temperature:

Plastic bowls: 40° to 125°F (4° to 52°C).

Metal bowls: 40° to 175°F (4° to 79°C).

Bowls: 8-ounce (240-ml) capacity zinc bowl with clear nylon sight glass or polycarbonate plastic bowl with steel shatterguard.

Bowl Rings: Aluminum.

Filter Drain: Internal automatic drain; optional manual drain or electronic drain.

Filter Element: 5- μ m-rated polyethylene.

Fluid Media: Compressed air.

Heads: Zinc.

Inlet Pressure:

15 psig (1 bar) minimum with automatic drain.

125 psig (8.6 bar) maximum.

With metal bowls:

200 psig (13.7 bar) maximum.

Oil Adjustment: External; tamper-resistant.

Outlet Pressure: Adjustable up to 125 psig (8.6 bar).

Pressure Adjustment Locking Key: Removable.

Pressure Gauge: 0 to 200 psig (14 bar); 1/4 NPT gauge ports front and rear.

Regulator: Nylon dome; acetal knob.

Seals: Nitrile.

Sight Dome: Clear nylon.

AIR FLOW DATA

See *Flow Charts* for individual assembly components on preceding pages.

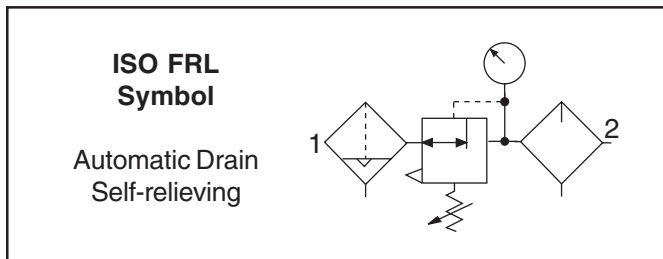
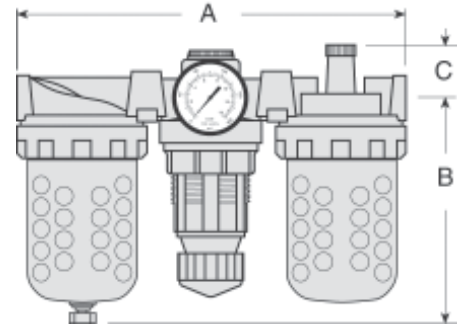
FULL-SIZE FRLs

Ports: 1/4, 3/8, 1/2, 3/4
Flow to 138 scfm

DIMENSIONS inches (mm)

Bowl	A	B	C	Depth †	Weight † lb (kg)
8-oz Metal	10.1 (256)	6.4 (163)	1.3 (33)	2.8 (71)	7.06 (3.20)
8-oz Plastic	10.1 (256)	5.8 (147)	1.3 (33)	2.8 (71)	7.06 (3.20)
20-oz Metal	10.1 (256)	9.8 (249)	1.3 (33)	2.8 (71)	7.45 (3.39)

† Less gauge.



REPLACEMENT FILTER ELEMENT KIT

Element Type	Kit Number
5-µm polyethylene (Std element)	939K77

COMBINATION FILTER & REGULATOR* (Includes 2 female port kits.)

Port Size	Automatic Drain Models		Manual Drain Models	
	Plastic Bowl**	Metal Bowl	Plastic Bowl**	Metal Bowl
1/4	5F11B2120	5F11B2220	5F11B2320	5F11B2420
3/8	5F11B3120	5F11B3220	5F11B3320	5F11B3420
1/2	5F11B4120	5F11B4220	5F11B4320	5F11B4420
3/4	5F11B5120	5F11B5220	5F11B5320	5F11B5420

*Diaphragm type; regulated pressure 0 – 125 psig (8.6 bar); gauge included. **Plastic bowl includes metal bowl guard.

Note: Each regulator comes complete with a gauge.

COMBINATION FILTER & LUBRICATOR (Includes 2 female port kits.)

1/4	5F11B2101	5F11B2202	5F11B2301	5F11B2402
3/8	5F11B3101	5F11B3202	5F11B3301	5F11B3402
1/2	5F11B4101	5F11B4202	5F11B4301	5F11B4402
3/4	5F11B5101	5F11B5202	5F11B5301	5F11B5402

COMBINATION FILTER, REGULATOR* & LUBRICATOR (Includes 2 female port kits.)

1/4	5F11B2121	5F11B2222	5F11B2321	5F11B2422
3/8	5F11B3121	5F11B3222	5F11B3321	5F11B3422
1/2	5F11B4121	5F11B4222	5F11B4321	5F11B4422
3/4	5F11B5121	5F11B5222	5F11B5321	5F11B5422

*Diaphragm type; regulated pressure 0 – 125 psig (8.6 bar); gauge included. **Plastic bowl includes metal bowl guard.

Note: Each regulator comes complete with a gauge.

For pipe nipple version, change the third and fourth digit to zero (0), e.g. 5F11B2321 becomes 5F00B2321.

NOTE: For BSP threads, add the letter "C" in front of the part number.



MD4™ FRLs

Ports: 3/8, 1/2, 3/4
Flow to 205 scfm



STANDARD SPECIFICATIONS

Ambient/Media Temperature:

Metal bowls: 40° to 175°F (4° to 79°C).
Plastic bowls: 40° to 125°F (4° to 52°C).

Bowls: 9-ounce (270-ml) capacity aluminum bowl with clear nylon sight glass or polycarbonate plastic bowl with steel shatterguard. Optional 15-ounce (450-ml) extended aluminum lubricator bowl with two clear nylon sight glasses.

Bowl Rings: Nylon.

Cap Color: Gold. Gray, yellow, red, and blue optional.

Filter Drain: Internal automatic drain; optional manual drain or electronic drain.

Filter Element: 5- μ m-rated polyethylene; optional 40- μ m element.

Fluid Media: Compressed air.

Heads: Zinc.

FEATURES:

- Individual filter; regulator; lubricator.
- Modular or inline mounting.
- 5- μ m-rated polyethylene filter element; optional 40- μ m element.
- Aluminum bowl with clear nylon sight glass *or* polycarbonate plastic bowl with steel shatterguard.
- Internal automatic filter drain; optional manual drain or electronic drain.
- Optional extended aluminum lubricator bowl with sight glass.
- Self-relieving diaphragm-type regulator; non-relieving optional.
- Pressure gauge; two gauge ports.
- NPTF port threads; optional SAE or BSPP threads.

Inlet Pressure:

15 psig (1 bar) minimum with automatic drain.
Metal bowls: 200 psig (13.7 bar) maximum.
Plastic bowls: 150 psig (10 bar) maximum.

Oil Adjustment: External; tamper-resistant.

Outlet Pressure: Adjustable up to 125 psig (8.6 bar).

Pressure Adjustment Locking Key: Removable.

Pressure Gauge: 0 to 200 psig (14 bar); 1/4 NPT gauge ports front and rear.

Seals: Nitrile.

Sight Dome: Clear nylon.

For mounting bracket options, see page 130.

AIR FLOW DATA

See *Flow Charts* for individual assembly components on preceding pages.

MD4™ FRLs

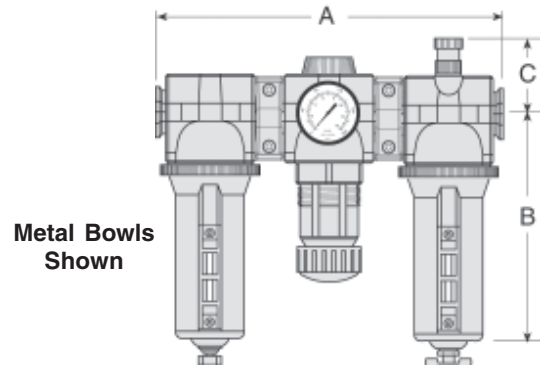
Ports: 3/8, 1/2, 3/4
Flow to 205 scfm

DIMENSIONS inches (mm)

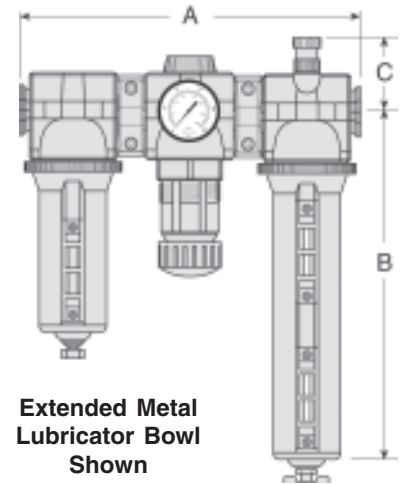
Bowls	A	B **	C	Depth †	Weight † lb (kg)
9 oz. Plastic	10.9 (276)	7.7 (195)	2.2 (56)	2.9 (73)	6.94 (3.15)
9 oz. Metal	10.9 (276)	7.6 (193)	2.2 (56)	3.1 (79)	6.94 (3.15)
15 oz. Metal	10.9 (276)	10.6 (269)	2.2 (56)	3.1 (79)	7.13 (3.24)

** Bowl removal clearance: For 9-ounce bowls add 3.4 (86).
 For extended bowl add 6.1 (155).

† Less gauge.



Metal Bowls Shown



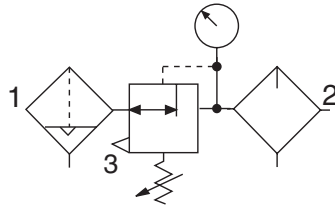
Extended Metal Lubricator Bowl Shown

REPLACEMENT FILTER ELEMENT KITS

Element Type	Kit Number
5-µm (Std element)	R-A115-106PE5
40-µm bronze	R-A115-106PE3

ISO FRL Symbol

Automatic Drain
Self-relieving



ORDER INFORMATION

MD4	53P	B	A	4	B	5	G	S	*
BOWL SIZE	53P - Two 9 oz. Polycarbonate Bowl 53M - Two 9 oz. Metal Bowl 53E - 9 oz. metal bowl on filter 15 oz. metal bowl on lubricator 53F - 9 oz. polycarbonate bowl on filter 15 oz. metal bowl on lubricator								
REGULATOR ADJUSTMENT RANGE	A - 0-175 psig (0-12 bar) with 0-200 psig gauge B - 0-125 psig (0-8.6 bar) (standard) with 0-200 psig gauge C - 0-50 psig (0-3.4 bar) with 0-60 psig gauge D - 0-20 psig (0-1.3 bar) with 0-60 psig gauge E - no regulator with 0-60 psig gauge								
FILTER ELEMENT TYPE	A - 40 Micron B - 5 Micron (standard)								
FILTER REGULATOR TYPE	5 - Side by side (two piece) with auto drain 6 - Side by side (two piece) with manual drain 7 - Side by side (two piece) with electronic drain - manual drain only 8 - Side by side (two piece) with automatic external drain - manual drain only								
							LUBRICATOR TYPE S - Standard Q - Quick-Fill Cap		
							COLOR G - Gray Y - Yellow R - Red B - Blue 2 - Gold (standard)		ADD ON L-O-X® 1 - Yellow 2 - Gold Blank - no L-O-X®
						PIPE SIZE 3 - 3/8 NPTF 4 - 1/2 NPTF 5 - 3/4 NPTF C - 3/8 BSPP D - 1/2 BSPP E - 3/4 BSPP F - 3/4-16 SAE G - 7/8-14 SAE			



HIGH-CAPACITY FRLs

Ports: 3/4 & 1
Flow to 270 scfm



FEATURES:

- Individual filter; piston-type regulator; wick-feed lubricator.
- Inline mounting.
- 5- μ m-rated polyethylene filter element.
- Metal bowls with clear nylon sight glass *or* polycarbonate plastic bowls with steel shatterguard.
- Internal automatic filter drain. Optional manual drain, external automatic drain, or electronic drain.
- Self-relieving regulator; non-relieving optional.
- Pressure gauge.
- NPTF port threads; optional BSPP threads.

STANDARD SPECIFICATIONS

Ambient/Media Temperature:

Plastic bowls: 40° to 125°F (4° to 52°C).
Metal bowls: 40° to 175°F (4° to 79°C).

Bowls: 16-ounce (480-ml) capacity aluminum bowls with sight glass or polycarbonate plastic bowls with steel shatterguard.

Bowl Rings: Aluminum.

Filter Drain: Internal automatic drain; optional manual drain, external automatic, or electronic drain.

Filter Element: 5- μ m-rated polyethylene.

Fluid Media: Compressed air.

Heads: Aluminum.

Inlet Pressure:

15 psig (1 bar) minimum with automatic drain.
Plastic bowls: 150 psig (10 bar) maximum.
Metal bowls: 200 psig (14 bar) maximum.

Oil Adjustment: External; tamper-resistant.

Outlet Pressure: Adjustable up to 100 psig (7 bar).

Pressure Adjustment Locking Key: Removable.

Pressure Gauge: 0 to 200 psig (14 bar); 1/4 NPT gauge ports front and rear.

Seals: Nitrile.

AIR FLOW DATA

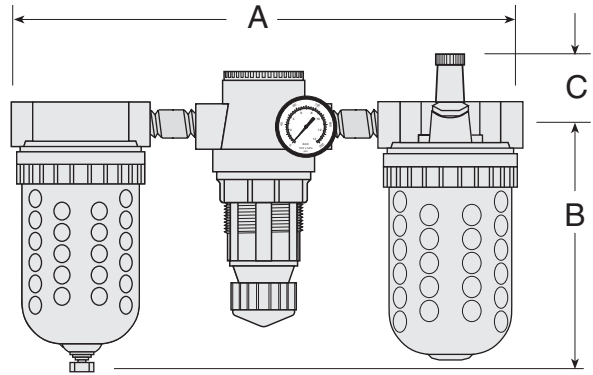
See *Flow Charts* for individual assembly components on preceding pages.

HIGH-CAPACITY FRLs

Ports: 3/4 & 1
Flow to 270 scfm

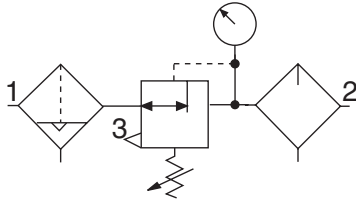
DIMENSIONS inches (mm)

A	B	C	Depth	Weight lb (kg)
15.8 (401)	8.0 (204)	1.2 (31)	4.3 (108)	8.00 (3.64)



ISO FRL Symbol

Automatic Drain
Self-relieving



REPLACEMENT FILTER ELEMENT KITS

Element Type	Kit Number
5-µm polyethylene (Std element)	1010K77

COMBINATION FILTER & REGULATOR*

Port Size	Automatic Drain Models		Manual Drain Models	
	Plastic Bowl**	Metal Bowl	Plastic Bowl**	Metal Bowl
3/4	5H00C5110	5H00C5210	5H00C5310	5H00C5410
1	5H00C6110	5H00C6210	5H00C6310	5H00C6410

*Piston type; regulated pressure 0 – 100 psig (6.9 bar); gauge included.
 Note: Each regulator comes complete with a gauge.

**Plastic bowl includes metal bowl guard.

NOTE: For BSPP threads, add the letter "C" in front of the part number.

COMBINATION FILTER & LUBRICATOR

3/4	5H00B5101	5H00B5202	5H00B5301	5H00B5402
1	5H00B6101	5H00B6202	5H00B6301	5H00B6402

**Plastic bowl includes metal bowl guard.

Note: Each regulator comes complete with a gauge.

NOTE: For BSPP threads, add the letter "C" in front of the part number.

COMBINATION FILTER, REGULATOR* & LUBRICATOR

3/4	5H00C5111	5H00C5212	5H00C5311	5H00C5412
1	5H00C6111	5H00C6212	5H00C6311	5H00C6412

*Piston type; regulated pressure 0 – 100 psig (6.9 bar); gauge included.
 Note: Each regulator comes complete with a gauge.

**Plastic bowl includes metal bowl guard.

NOTE: For BSPP threads, add the letter "C" in front of the part number.



HIGH-CAPACITY FRLs

Ports: 1-1/4 & 1-1/2
Flow to 495 scfm



FEATURES:

- Individual filter; piston-type regulator; sight-feed.
- Inline mounting.
- 5- μ m-rated filter element.
- Aluminum bowls with clear nylon sight glass.
- Internal automatic filter drain. Optional manual drain.
- Self-relieving regulator.
- Pressure gauge.
- NPTF port threads; optional BSPP threads.

STANDARD SPECIFICATIONS

Ambient/Media Temperature:

40° to 175°F (4° to 79°C).

Bowls: 35-ounce (1 liter) capacity aluminum bowls with clear nylon sight glasses.

Bowl Rings: Aluminum.

Filter Drain: Internal automatic drain. Optional manual drain.

Filter Element: 5- μ m-rated filter element.

Fluid Media: Compressed air.

Heads: Aluminum.

Inlet Pressure:

15 psig (1 bar) minimum with automatic drain.
200 psig (14 bar) maximum.

Oil Adjustment: External; tamper-resistant.

Outlet Pressure: Adjustable up to 100 psig (7 bar).

Pressure Adjustment Locking Key:

Removable.

Pressure Gauge: 0 to 200 psig (14 bar); 1/4 NPT gauge ports front and rear.

Regulator: Nylon dome; acetal knob.

Seals: Nitrile.

Sight Dome: Clear nylon.

AIR FLOW DATA

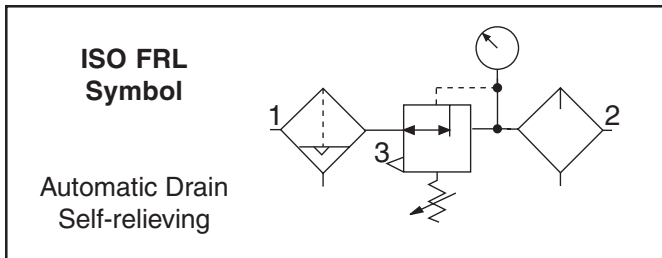
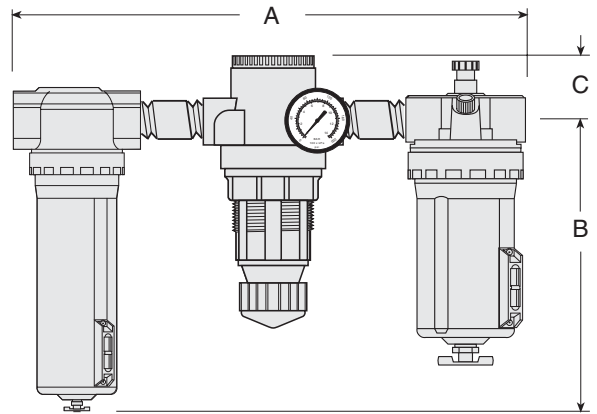
See *Flow Charts* for individual assembly components on preceding pages.

HIGH-CAPACITY FRLs

Ports: 1-1/4 & 1-1/2
Flow to 495 scfm

DIMENSIONS inches (mm)

A	B	C	Depth	Weight lb (kg)
15.8 (401)	10.6 (268)	2.1 (54)	4.3 (108)	8.00 (3.64)



REPLACEMENT FILTER ELEMENT KIT

Element Type	Kit Number
5- μ m element (Std element)	R-A114-106E3

HIGH-CAPACITY Model No. 5 H 0 0 B * * * *

PIPE SIZE

- 7 = 1-1/4
- 8 = 1-1/2

FILTER

- 1 = Automatic drain, plastic bowl
- 2 = Automatic drain, metal bowl (plastic bowls for 1-1/4 and 1-1/2 units not available)
- 3 = Manual drain, plastic bowl
- 4 = Manual drain, metal bowl

LUBRICATOR

- 0 = None
- 1 = Sight-feed, plastic bowl
- 2 = Sight-feed, metal bowl
- 3 = Sight-feed, plastic bowl, quick-fill cap
- 4 = Sight-feed, metal bowl, quick-fill cap

REGULATOR

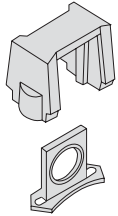
- 1 = Piston, 0-100 psig
- 8 = Internal pilot, 15-200 psig



COMPONENTS FOR MODULAR ASSEMBLY

MID-SIZE and FULL-SIZE Units

The modular designs of the MID-SIZE and FULL-SIZE series offer maximum flexibility in customizing FRL assemblies. As shown at the right, connector kits are required to interconnect units. Various port kits (shown below) can be used to connect the assemblies to the inlet and outlet piping. Note that all FRL components have threaded ports so that conventional pipe fittings may be used where desired.



Connector Kit 892K77. Used to connect units to one another as well as to any of the ports shown on this page.



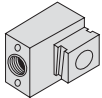
Female Port Kits. Used to connect to piping at inlet or outlet.

- 1/4 **897K77**
- 3/8 **898K77**
- 1/2 **899K77**
- 3/4 **900K77**



Male Port Kits. Used to connect modular to non-modular units. Also allows 90-degree connections using side, bracket, or extra port kits.

- 1/4 **893K77**
- 3/8 **894K77**
- 1/2 **895K77**
- 3/4 **896K77**



Bracket Port Kits. Allows units to be panel mounted. Uses 1/4 (M6) mounting bolts. 90-degree port is 1/2.

Front mounting **910K77**
Back mounting **1004K77**



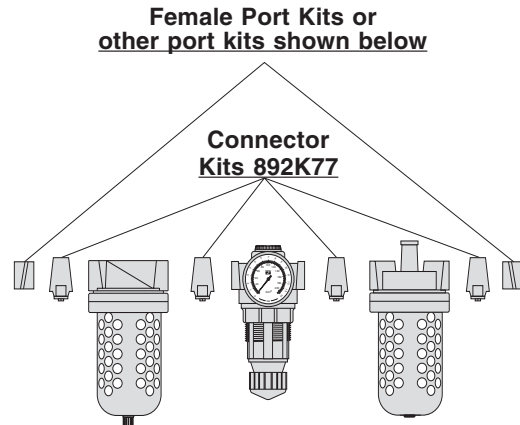
Extra Port Kit 901K77. Used before or after any modular unit to supply three auxiliary 1/4 outlet ports.



Side Port Kits. Functions as a 90-degree female port. Three types: (1) port at front or back; (2) port at top; (3) port at bottom.

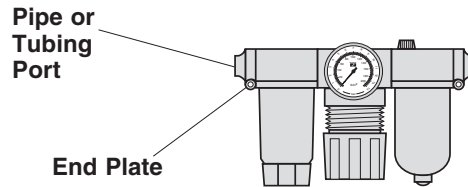
	Front/Back	Top	Bottom
1/4	902K77	906K77	1000K77
3/8	903K77	907K77	1001K77
1/2	904K77	908K77	1002K77
3/4	905K77	909K77	1003K77

Mounting Bracket Kit 915K77. L-shaped metal brackets (not illustrated) are used for wall mounting modular assemblies. Kit contains two brackets and four screws for attaching brackets to tops of modular units.



MID-SIZE and FULL-SIZE Modular Assembly

BANTAM Units



BANTAM modular units use end plates secured with screws to hold the pipe or tubing ports (see below), and also to serve as mounting brackets. Short screws are used to secure the end plates when a single BANTAM unit is used. If two or more units are combined, long screws extend through an end plate and thread into the next unit. Screw kits required are as follows:

Single Unit: Two short screw kits.

Two-Unit Combination: One each short screw kit and long screw kit.

Three-Unit Combination: Two long screw kits.

END PLATE (1): 857K77

Short Screw (2): 858K77

Long Screw (2): 859K77

For inlet or mating ports: **860K77**

For outlet or mating ports: **861K77**

O-Rings

1/8 NPT **862K77**

1/4 NPT **863K77**

1/8 BSP **D864K77**

1/4 BSP **D865K77**

Pipe Ports

1/4 **866K77**

3/8 **867K77**

4 mm **868K77**

6 mm **869K77**

8 mm **870K77**

10 mm **871K77**

Tube Ports

